



VIEWELL TECHNOLOGY CO., LTD.
 10F-4, NO.432, SEC.1, KEELUNG RD.,XINYI DIST.,
 TAIPEI CITY 11051, TAIWAN
 Tel: 886 2 27298580 Fax : 886 2 27298563
 E-Mail: Sales@viewell.com.tw

Open Frame Series

12.1" Open Frame Display

Model NO :OFD-121XN-VX



Display Specifications

LCD Display	12.1" Active Matrix TFT color LCD
Active Display Area	245.76 (H) x 184.32 (V) mm
Resolution	1024 x 768
Pixels Pitch	0.24 x 0.24 mm
Brightness [cd/m ²]	500 (Typ)
Contrast Ration	700 : 1(Typ.)
Viewing Angle	160° (H) / 160°(V)

System

I/O Connectors	DC power input x 1 , VGA (15 Pin Female D-SUB) x 1
OSD Control	on the Rear Side

Power Supply

Power Consumption	25 (watt)
Power Input	DC 12 V

Mechanical

Construction	Metal Chassis
Mounting	Panel Mount or VESA Mount (75 x 75 mm)
Dimension	324 x 249 x 33 (mm)
Net Weight	1.70 KGS

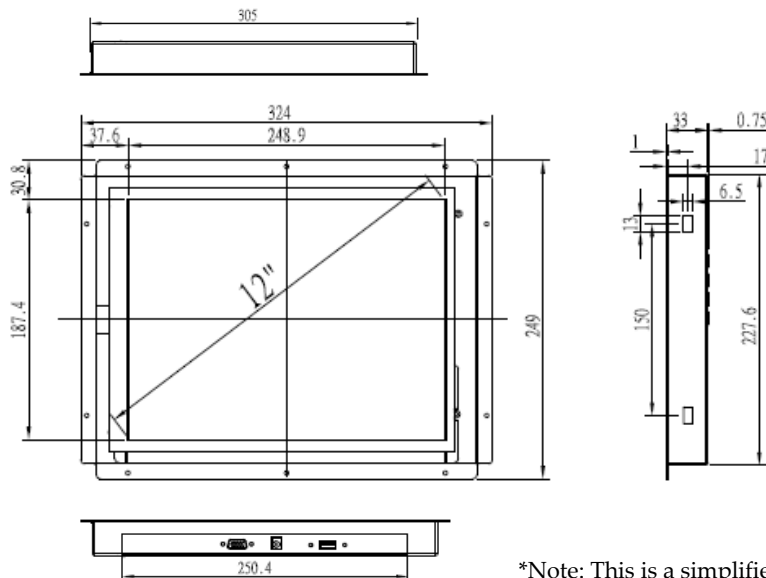
Environmental

Operating Temperature	0~50°C (32 ~122 °F)
-----------------------	-----------------------

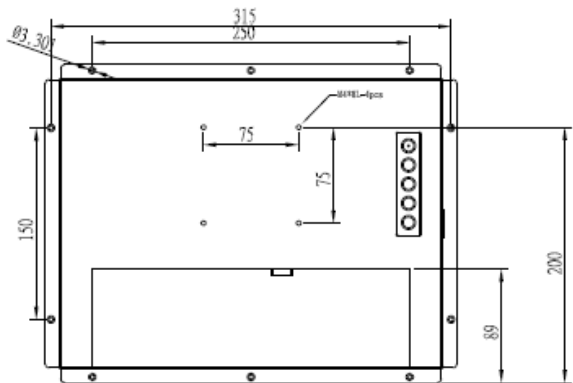
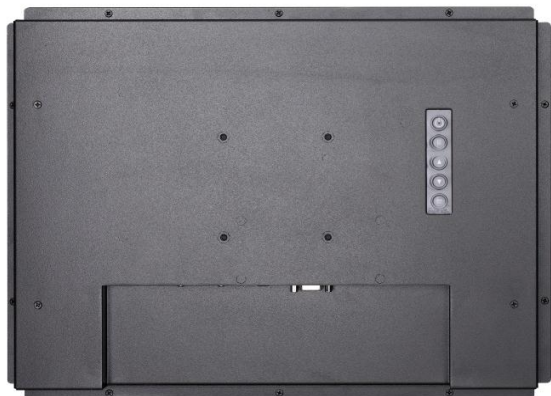
Order Options

Optional DVI Input	Yes
Optional Touch Panel	Resistive, Capacitive (RS232 or USB)

Dimension



UNIT: mm



*Note: This is a simplified drawing and some components are not marked in detail.
 Please contact us for product detail information.