

BID Series

15" Front Panel IP 65 Solution

Model NO : BID-150XN-VX



**Open Frame + Bezel
 Compact & Sleek Design**

Display Specifications

LCD Display	15" Active Matrix TFT color LCD
	IP65 Front Panel Protection
Active Display Area	304.128(H) x 228.096(V) mm
Resolution	1024 x 768
Pixels Pitch	0.297 x 0.297 mm
Brightness [cd/m ²]	250 (Typ)
Contrast Ration	700 : 1(Typ.)
Viewing Angle	170° (H) / 160°(V)

System

I/O Connectors	DC power input x 1 , VGA (15 Pin Female D-SUB) x 1
OSD Control	on the Rear Side

Power Supply

Power Consumption	30 (watt)
Power Input	DC 12 V

Mechanical

Construction	Metal Chassis
Mounting	VESA Mount or Rear Mount (VESA 75 x75 mm)
Dimension	380 x 280 x 37 mm
Net Weight	3.70 KGS

Environmental

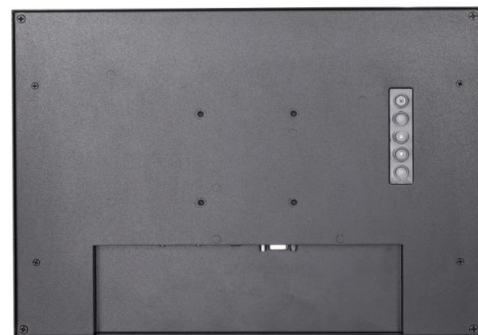
Operating Temperature	0~50°C (32 ~122 °F)
-----------------------	-----------------------

Order Options

Optional DVI Input	Yes
Optional Touch Panel	Resistive, Capacitive (RS232 or USB)

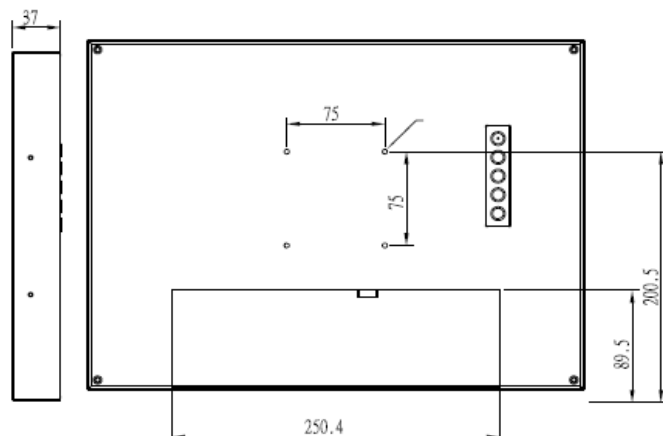
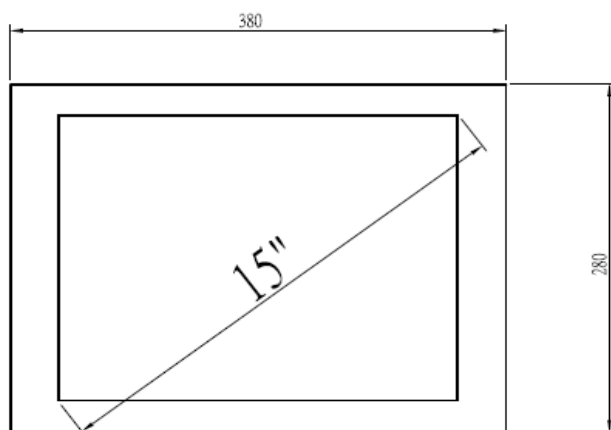
Ordering Information

BID-150XN-VX	15" Industrial Display , Front Panel IP65 Solution
BID-150TN-VX	15" Industrial Display , Front Panel IP65 Solution with Touch Screen



Dimension

UNIT: mm



*Note: This is a simplified drawing and some components are not marked in detail.

Please contact us for product detail information.