

BID Series 17" Front Panel IP 65 Solution

Model NO : BID-170XN-VX



**Open Frame + Bezel
 Compact & Sleek Design**

Display Specifications

LCD Display	17" Active Matrix TFT color LCD IP65 Front Panel Protection
Active Display Area	337.920(H) x 270.336(V) mm
Resolution	1280 x 1024
Pixels Pitch	0.264 x 0.264 mm
Brightness [cd/m ²]	250 (Typ)
Contrast Ration	1000 : 1(Typ.)
Viewing Angle	170° (H) / 160°(V)

System

I/O Connectors	DC power input x 1 , VGA (15 Pin Female D-SUB) x 1
OSD Control	on the Rear Side

Power Supply

Power Consumption	30 (watt)
Power Input	DC 12 V

Mechanical

Construction	Metal Chassis
Mounting	VESA Mount or Rear Mount (VESA 100 x100 mm)
Dimension	420 x 320 x 41.25 mm
Net Weight	5.20 KGS

Environmental

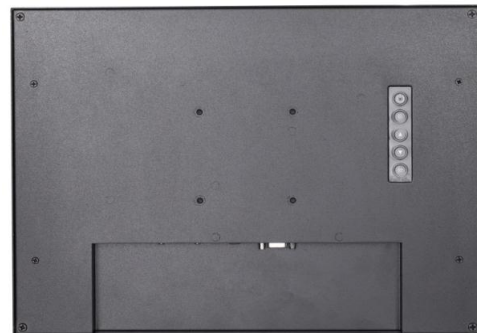
Operating Temperature	0~50°C (32 ~122 °F)
-----------------------	-----------------------

Order Options

Optional DVI Input	Yes
Optional Touch Panel	Resistive, Capacitive (RS232 or USB)

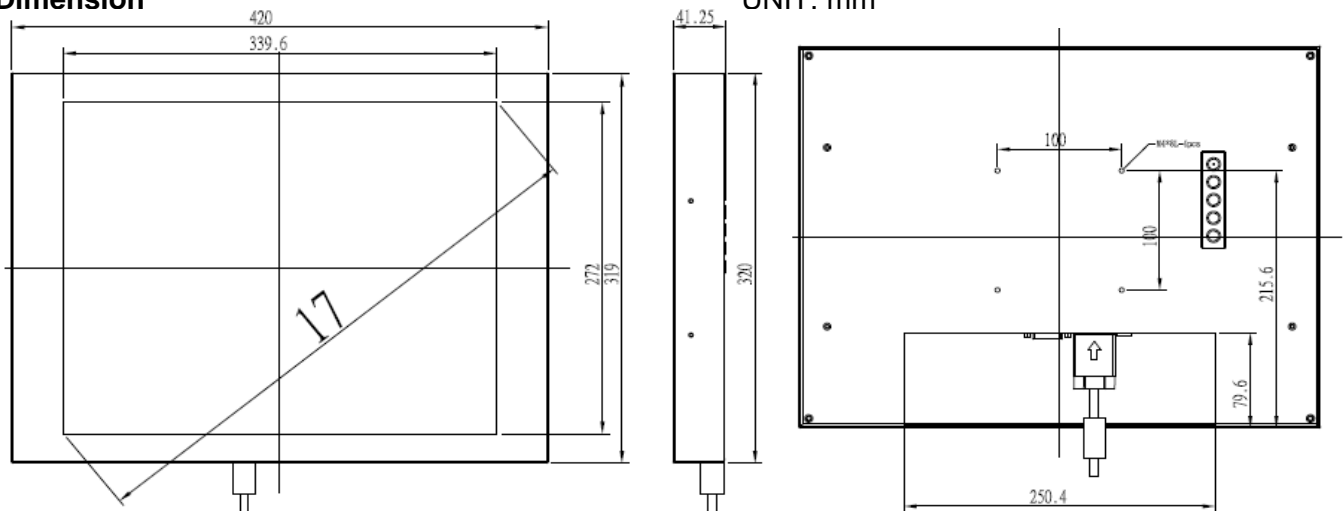
Ordering Information

BID-170XN-VX	17" Industrial Display , Front Panel IP65 Solution
BID-170TN-VX	17" Industrial Display , Front Panel IP65 Solution with Touch Screen



Dimension

UNIT: mm



*Note: This is a simplified drawing and some components are not marked in detail.

Please contact us for product detail information.