

BID Series

12.1" Front Panel IP 65 Solution

Model NO : BID-121XN-VX



**Open Frame + Bezel
 Compact & Sleek Design**

Display Specifications

LCD Display	12.1" Active Matrix TFT color LCD IP65 Front Panel Protection
Active Display Area	245.76 (H) x 184.32 (V) mm
Resolution	1024 x 768
Pixels Pitch	0.24 x 0.24 mm
Brightness [cd/m ²]	500 (Typ)
Contrast Ratio	700 : 1(Typ.)
Viewing Angle	160° (H) / 160°(V)

System

I/O Connectors	DC power input x 1 , VGA (15 Pin Female D-SUB) x 1
OSD Control	on the Rear Side

Power Supply

Power Consumption	25 (watt)
Power Input	DC 12 V

Mechanical

Construction	Metal Chassis
Mounting	VESA Mount or Rear Mount (VESA 75 x75 mm)
Dimension	305 x 230 x 37 mm
Net Weight	2.40 KGS

Environmental

Operating Temperature	0~50°C (32 ~122 °F)
-----------------------	-----------------------

Order Options

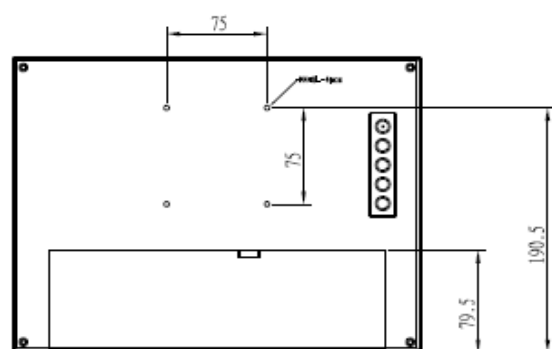
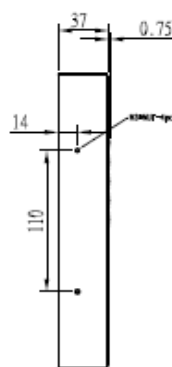
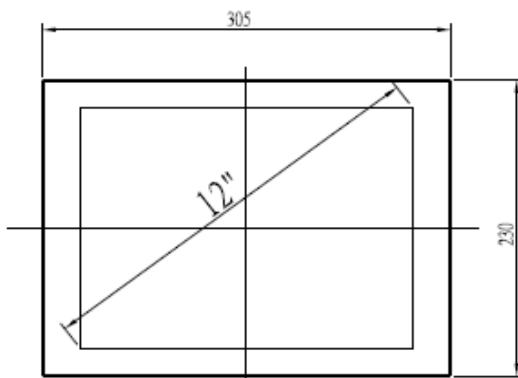
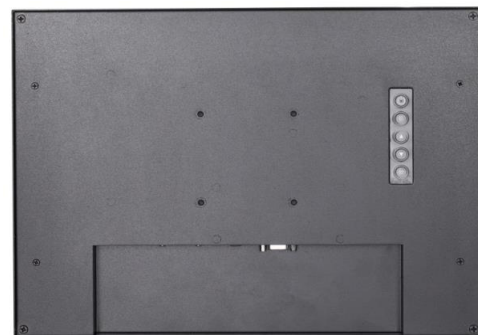
Optional DVI Input	Yes
Optional Touch Panel	Resistive, Capacitive (RS232 or USB)

Ordering Information

BID-121XN-VX	12.1" Industrial Display , Front Panel IP65 Solution
BID-121TN-VX	12.1" Industrial Display , Front Panel IP65 Solution with Resistive Touch Screen
BID-121CN-VX	12.1" Industrial Display , Front Panel IP65 Solution with Capacitive Touch Screen

Dimension

UNIT: mm



*Note: This is a simplified drawing and some components are not marked in detail.

Please contact us for product detail information.