

Open Frame Series 12.1" Open Frame Display

Model NO : OFD-121XN-VX



Display Specifications

LCD Display	12.1" Active Matrix TFT color LCD
Active Display Area	245.76 (H) x 184.32 (V) mm
Resolution	1024 x 768
Pixels Pitch	0.24 x 0.24 mm
Brightness [cd/m ²]	500 (Typ)
Contrast Ration	700 : 1(Typ.)
Viewing Angle	160° (H) / 160°(V)

System

I/O Connectors	DC power input x 1, VGA (15 Pin Female D-SUB) x 1
OSD Control	on the Rear Side

Power Supply

Power Consumption	25 (watt)
Power Input	DC 12 V

Mechanical

Construction	Metal Chassis
Mounting	Panel Mount or VESA Mount (75 x 75 mm)
Dimension	324 x 249 x 33 (mm)
Net Weight	1.70 KGS

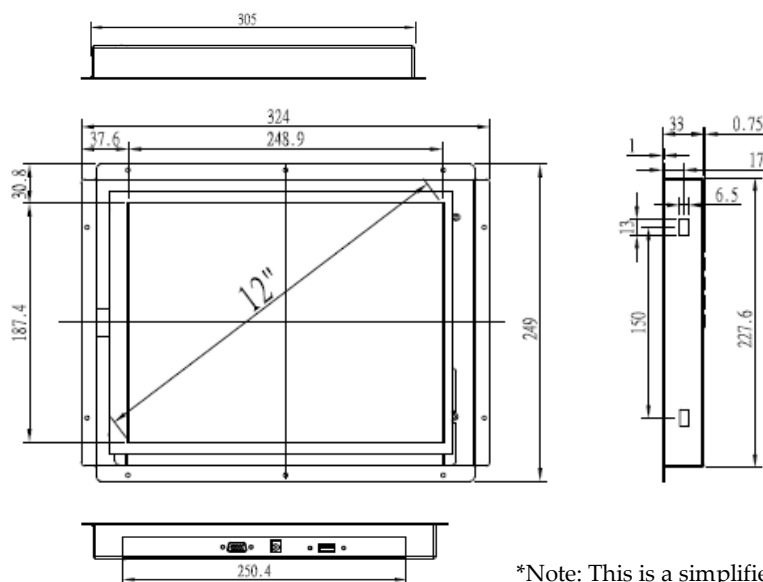
Environmental

Operating Temperature	0~50°C (32 ~122 °F)
-----------------------	-----------------------

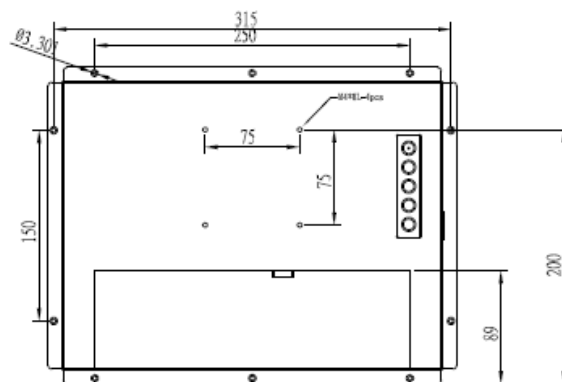
Order Options

Optional DVI Input	Yes
Optional Touch Panel	Resistive, Capacitive (RS232 or USB)

Dimension



UNIT: mm



*Note: This is a simplified drawing and some components are not marked in detail.
 Please contact us for product detail information.