

Open Frame Series 17" Open Frame Display

Model NO : OFD-170XN-VD



Display Specifications

LCD Display	17" Active Matrix TFT color LCD
Active Display Area	337.920(H) x 270.336(V) mm
Resolution	1280 x 1024
Pixels Pitch	0.264(per one triad) x 0.264 mm
Brightness [cd/m ²]	250 (Typ)
Contrast Ration	1000 : 1(Typ.)
Viewing Angle	170° (H) / 160°(V)

System

I/O Connectors	DC power input x 1 , VGA x 1 , DVI x 1
OSD Control	on the Rear Side

Power Supply

Power Consumption	30 (watt)
Power Input	DC 12 V

Mechanical

Construction	Metal Chassis
Mounting	Panel Mount or VESA Mount (100 x 100 Mount)
Dimension	439.4 x 339.4 x 39 mm
Net Weight	4.00 KGS

Environmental

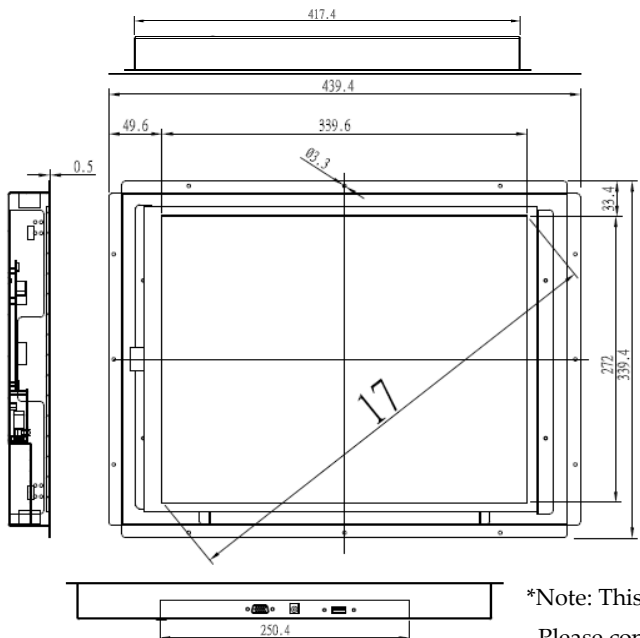
Operating Temperature	0~50°C (32 ~122 °F)
-----------------------	-----------------------

Order Options

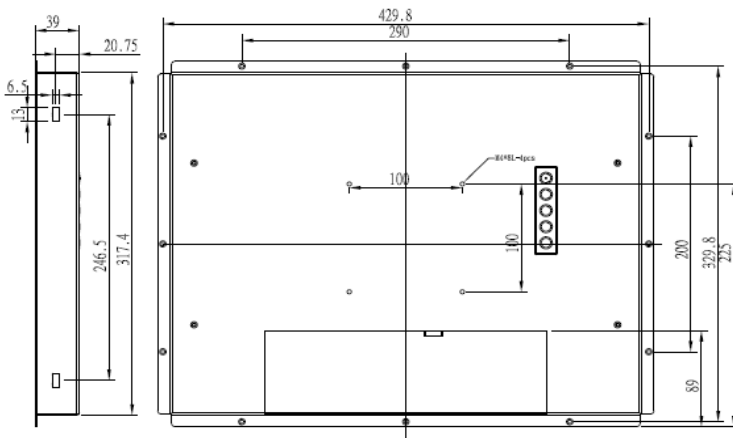
Optional DVI Input	Yes
Optional Touch Panel	Resistive, Capacitive (RS232 or USB)



Dimension



UNIT: mm



*Note: This is a simplified drawing and some components are not marked in detail.
 Please contact us for product detail information.