

Flat Touch monitor

Thin profile , rounded corners , bezel -less



Features :

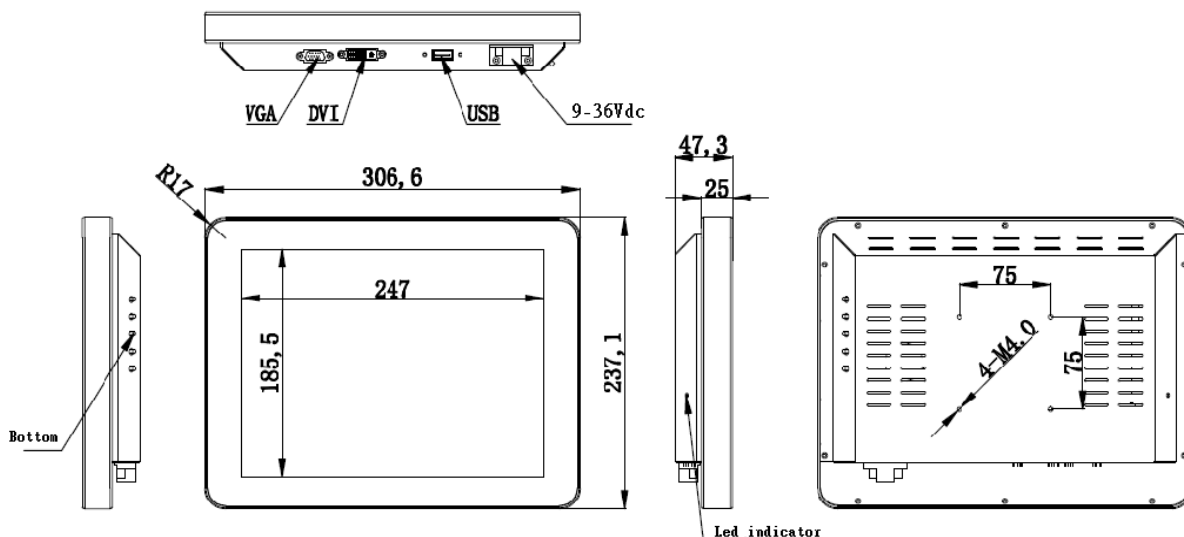
- * 12.1" VGA 1024 x 768 LCD panel with LED backlight for power saving and environmental protection
- * 0°C ~ 50°C range operating temperature
- * PCAP touchscreen
- * Multi-touch PCT touchscreen with USB interface
- * Flexible signal interface: VGA, DVI
- * VESA mounting
- * IP65 front panel compliant
- * True flat surface
- * 9~36Vdc Power in

Model No :FAD series



Main Specifications

Display	Model	FAD-121PW-DN
	Size	12.1" LED Panel
	Resolution	1024 x 768 (XGA)
	Viewing Angle	80°/80° (H),70°/70° (V)
	Brightness	500 (cd/m ²)
	Support color	16.2M colors
	Contrast ratio	700:1
	Response time	16 msec
	Backlight life(hrs)	30,000 hrs
Touchscreen	Touchscreen type	PCT Multi-touch touchscreen
	Surface Hardness	≥6H
	Transparency	> 85%
Environment	Operating Temperatur	0 ~ 50°C(32~122°F)
	Storage Temperature	-20~60°C(-4~140°F)
Mechanical	Construction	Metal chassis with Aluminum profile
	Mounting	VESA mounting
	Dimension	306.6 x 237.1 x 47.3 (mm)
	Net Weight	3.40kgs
System	I/O	VGA x 1,DVI x 1 ,USB x 1 for Touch ,phoenix connector x 1 for DC power in
	Power input	9~36Vdc in ,
	Power Consumption	13.6 Watt
	EMC compliance	CE/FCC
Accessories	VGA cable x 1 , USB cable x 1 , Phoenix male connector x 1	
Optional Items	DVI cable (1.5 m)	



*Note: This is a simplified drawing and some components are not marked in detail. Please contact us for product detail information.